

WBLA

WALL BRACKET FOR HGV

Solid, anticorrosional aluminium construction

Load rating: 70kg (154lb)

Length: 457.5mm (18,7in)



WBLA

MECHANICAL

Solid, anticorrosional aluminium construction

Load rating: 70kg (154lb)

Length: 457.5mm (18,7in)

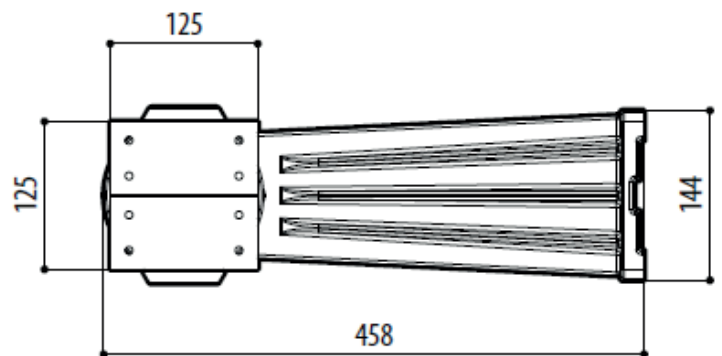
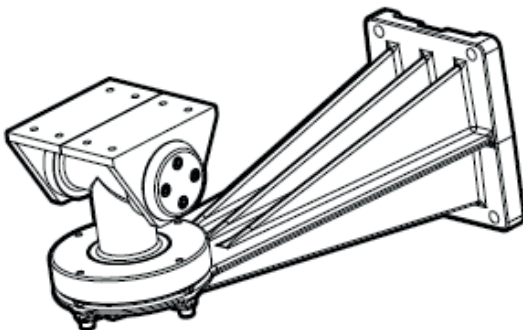
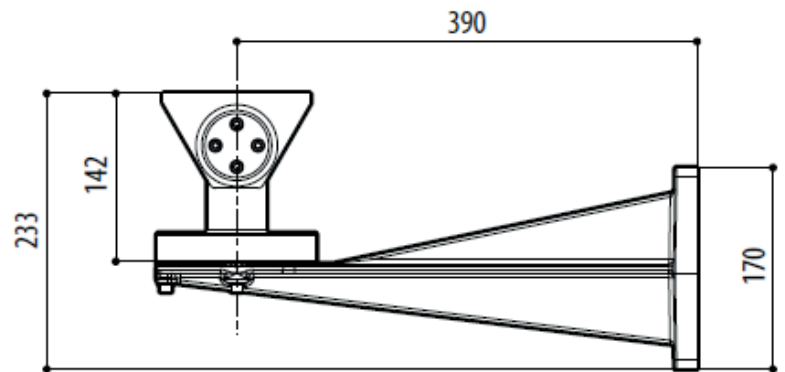
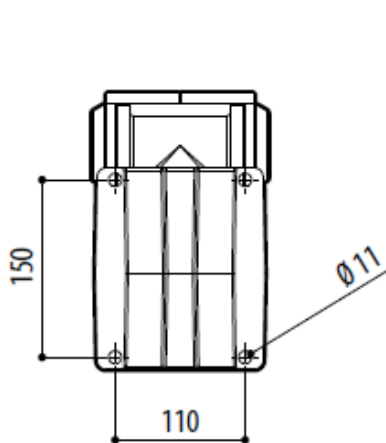
Unit weight: 6.6kg (14.5lb)

PART NUMBER

WBLA Bracket and ball joint in solid anticorrosional aluminium construction, RAL9002

PACKAGE

Model Number	Weight	Dimensions (WxHxL)	Master carton
WBLA	7kg (15.4lb)	27x18x49cm (10.5x7x19in)	-



WBLA